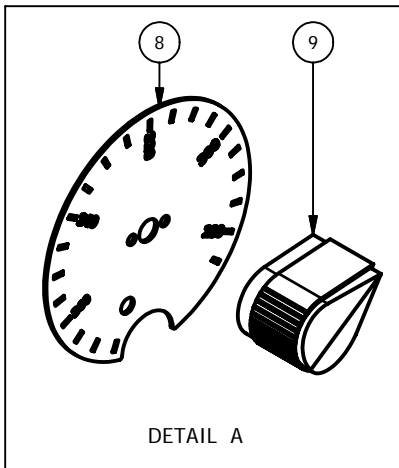
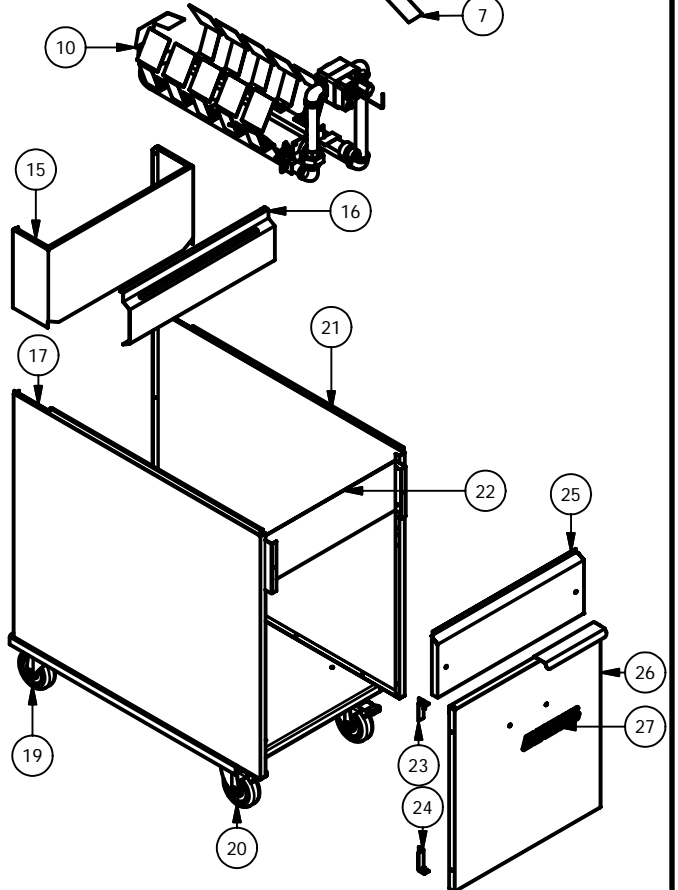
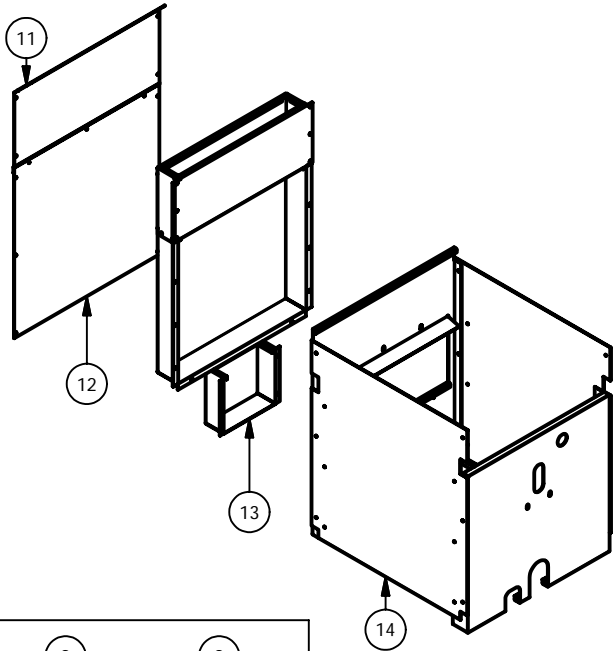
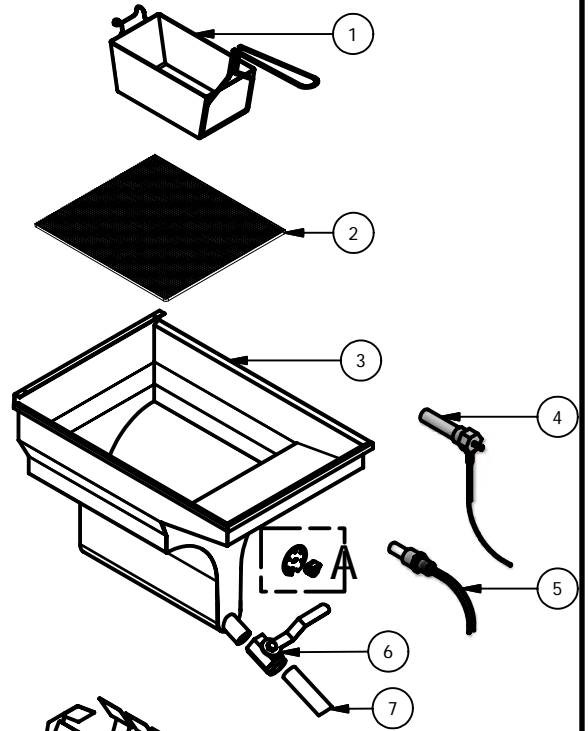
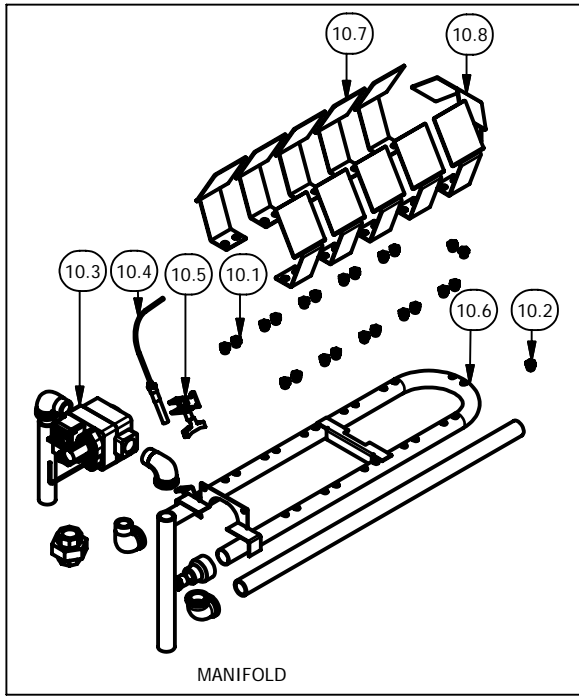


IFS-75-OP PART LIST



IF-75-OP Series

ITEM NO	DESCRIPTION	PART #	75-OP
1	Full Size Frying Basket (L 16-3/4"xW 17-1/2"xD 5-3/4")	3085	1
	Twin Size Frying Basket (L 17"xW 8-1/4"xD 5-3/4")	3068	2
2	Crumb Screen/Fine Mesh (12-1/4" x 13-3/4")	36259	1
3	Vessel Assembly - 75lb	36871	1
4	Thermoswitch Temp Control	36211	1
5	Precision High Temp Prob	36212	1
6	Drain Valve	1623	1
7	Drain Extension	30647M	1
8	Dial Plate	37078	1
9	Knob for Fryer Thermoswitch Temp Control	36302	1
10	Manifold	See Insert	
10.1	Orifice - NAT. Gas 75lb	36110-55	22
	Orifice - L.P. Gas 75lb	36110-67	22
10.3	Comb Gas Valve - NAT. Gas	1173-HW	1
	Comb Gas Valve - L.P. Gas	1174-HW	1
10.4	Thermopile	1096	1
10.5	Pilot Burner - NAT.	0310	1
	Pilot Burner - L.P.	32105 & 0310	1
	Pilot Bell Orifice NAT. # 21	2031-2	1
	Pilot Bell Orifice LP. # 11	32105	1
10.6	Gas Manifold - 75lb	36106	1
10.7	S/S Side Target / Bracket 50/75lb	36230	10
10.8	S/S Rear Target / Bracket 50/75lb	36231	1
11	Upper Structural Back	28195	1
12	Lower Structural Back	28196	1
13	Upper Flue Assembly - 75lb	Call Factory	1
	Lower Flue Assembly - 75lb	Call Factory	1
14	Heat Shield and Flue Assy.	Call Factory	***
15	Vessel Back Panel	28171	1
16	Basket Hanger	28079	1
17	L/H Side Panel	28113	1
18	S/S 6in.5/8 Stud Leg W / Nylon Glide	30555	4
19	Caster	1060	2
20	Caster W / Brakes	1061	2
21	R/H Side Panel	28112	1
22	Front Heat Shield	28165	1
23	Upper Door Hanger	28048	1
24	Lower Door Hanger	28050	1
25	Front Panel	28084	1
26	Cabinet Door Assembly	28108	1
	Door Magnet	1830	1
27	Imperial Logo	35840	1
	Logo Speed Nut	36569	2
***	Vessel Vat Cover W / Handle (23-5/8" x 15-1/2")	28085	1
***	Handle	1090	1
***	IFS - 75lb Joiner Strip	28210	1 or 2