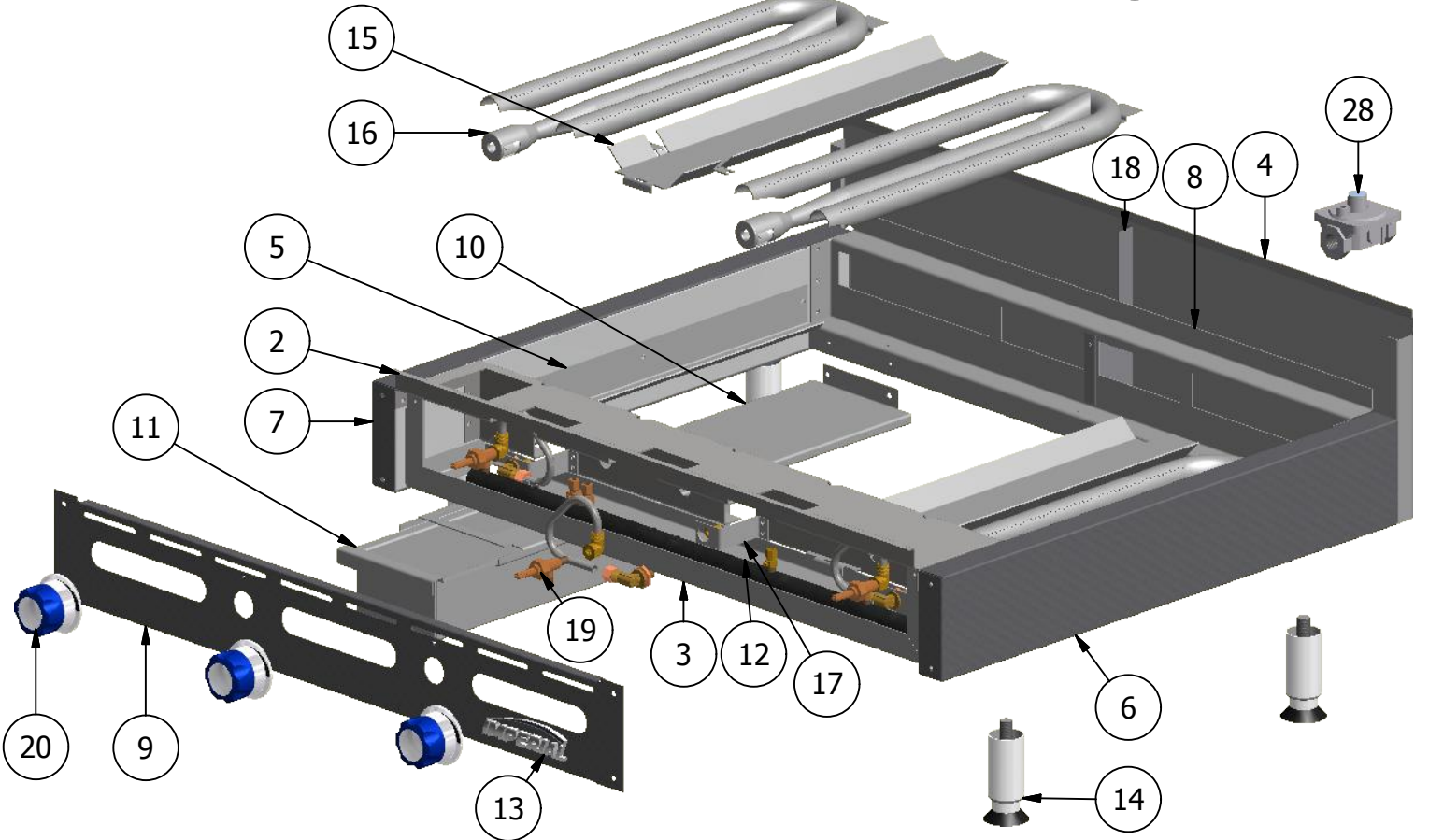
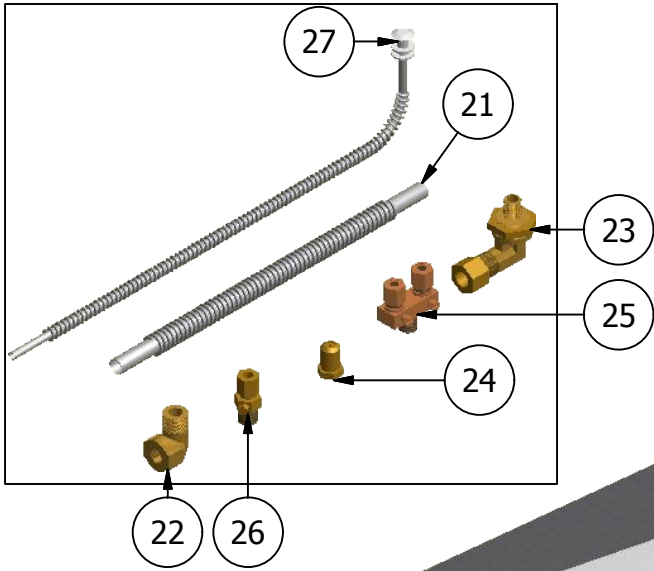


IMGA SERIES - MANUALLY CONTROLLED GRIDDLES

VALVE AND MANIFOLD COMPONENTS



IMGA Series - Manual Controlled Griddles

ITEM	DESCRIPTION	PART NO.	24"	36"	48"	60"	72"
	3/4" THICK PLATE						
1	24" GRIDDLE PLATE ASSEMBLY	12099	1	-	-	-	-
***	36" GRIDDLE PLATE ASSEMBLY	12100	-	1	-	-	-
***	48" GRIDDLE PLATE ASSEMBLY	12101	-	-	1	-	-
	1" THICK PLATE						
***	24" GRIDDLE PLATE ASSEMBLY	12102	1	-	-	-	-
***	36" GRIDDLE PLATE ASSEMBLY	12103	-	1	-	-	-
***	48" GRIDDLE PLATE ASSEMBLY	12104	-	-	1	-	-
***	60" GRIDDLE PLATE ASSEMBLY	12105	-	-	-	1	-
***	72" GRIDDLE PLATE ASSEMBLY	12106	-	-	-	-	1
2	24" FRONT BAFFLE	31154	1	-	-	-	-
***	36" FRONT BAFFLE	31155	-	1	-	-	-
***	48" FRONT BAFFLE	31156	-	-	1	-	-
***	60" FRONT BAFFLE	31157	-	-	-	1	-
***	72" FRONT BAFFLE	31158	-	-	-	-	1
3	24" FRONT SUPPORT BOTTOM	31159	1	-	-	-	-
***	36" FRONT SUPPORT BOTTOM	31160	-	1	-	-	-
***	48" FRONT SUPPORT BOTTOM	31161	-	-	1	-	-
***	60" FRONT SUPPORT BOTTOM	31162	-	-	-	1	-
***	72" FRONT SUPPORT BOTTOM	31163	-	-	-	-	1
4	24" FLUE BACK	31169	1	-	-	-	-
***	36" FLUE BACK	31170	-	1	-	-	-
***	48" FLUE BACK	31171	-	-	1	-	-
***	60" FLUE BACK	31172	-	-	-	1	-
***	72" FLUE BACK	31173	-	-	-	-	1
5	BAFFLE SIDE	31186	2	2	2	2	2
6	SIDE PANEL ASSY. R/H	38954	1	1	1	1	1
7	SIDE PANEL ASSY. L/H	38955	1	1	1	1	1
8	24" REAR SUPPORT	31164	1	-	-	-	-
***	36" REAR SUPPORT	31165	-	1	-	-	-
***	48" REAR SUPPORT	31166	-	-	1	-	-
***	60" REAR SUPPORT	31167	-	-	-	1	-
***	72" REAR SUPPORT	31168	-	-	-	-	1
9	24" VALVE COVER	31181	1	-	-	-	-
***	36" VALVE COVER	31182	-	1	-	-	-
***	48" VALVE COVER	31183	-	-	1	-	-
***	60" VALVE COVER	31184	-	-	-	1	-
***	72" VALVE COVER	31185	-	-	-	-	1
10	GREASE CAN GUIDE L/H	31179	1	1	1	1	1
***	GREASE CAN GUIDE R/H	31376	-	-	-	1	1
11	GREASE CAN	31180	1	1	1	2	2
12	24" MANIFOLD	0870	1	-	-	-	-
***	36" MANIFOLD	0869	-	1	-	-	-
***	48" MANIFOLD	0868	-	-	1	-	-
***	60" MANIFOLD	0866	-	-	-	1	-
***	72" MANIFOLD	0865	-	-	-	-	1
13	SMALL IMPERIAL LOGO	37766	1	1	1	1	1
***	SPEED NUT FOR LOGO (NOT SHOWN)	36569	2	2	2	2	2

IMGA Series - Manual Controlled Griddles

ITEM	DESCRIPTION	PART NO.	24"	36"	48"	60"	72"
14	4" ADJUSTABLE APPLIANCES LEG WITH NYLON GUIDE	3901	4	4	4	6	6
15	BAFFLE CENTER	31187	1	2	3	4	5
16	GRIDDLE BURNER	2099	2	3	4	5	6
17	ORIFICE BRACKET	35738	2	3	4	5	6
18	FLUE BACK SUPPORT	31194	1	1	1	2	2
19	GAS VALVE BURNER	1610	2	3	4	5	6
20	RESTAURANT SERIES, OPEN BURNER	36330	2	3	4	5	6
21	3/8 x 9 S/S FLEX TUBING	34679-9	2	3	4	5	6
22	3/8 CC X 1/8 FNPT FEMALE ADAPTER ELBOW	30288	2	3	4	5	6
23	3/8cc X 3/8 - 27 ORIFICE MIXER ELBOW	37188	2	3	4	5	6
24	#39 ORIFICE (NAT)	2062	2	3	4	5	6
***	#52 ORIFICE (LP)	2067	2	3	4	5	6
25	DOUBLE PILOT VALVE	1003	1	1	2	2	3
26	STRAIGHT VALVE / IRB SINGLE PILOT	1607	-	1	-	1	-
27	PILOT ASSY.	35714	2	3	4	5	6
28	GAS PRESSURE REGULATOR - NAT	38733	1	1	1	1	1
***	GAS PRESSURE REGULATOR - LP	38734	1	1	1	1	1